



# ASTON<sup>®</sup>

**YOUR COMPLETE GO-TO MACHINE**

**ATC-5733 Smart Solution**  
TIRE EQUIPMENT SPECIALIST



**Aston Technologies, Inc.**  
[www.astontechusa.com](http://www.astontechusa.com)



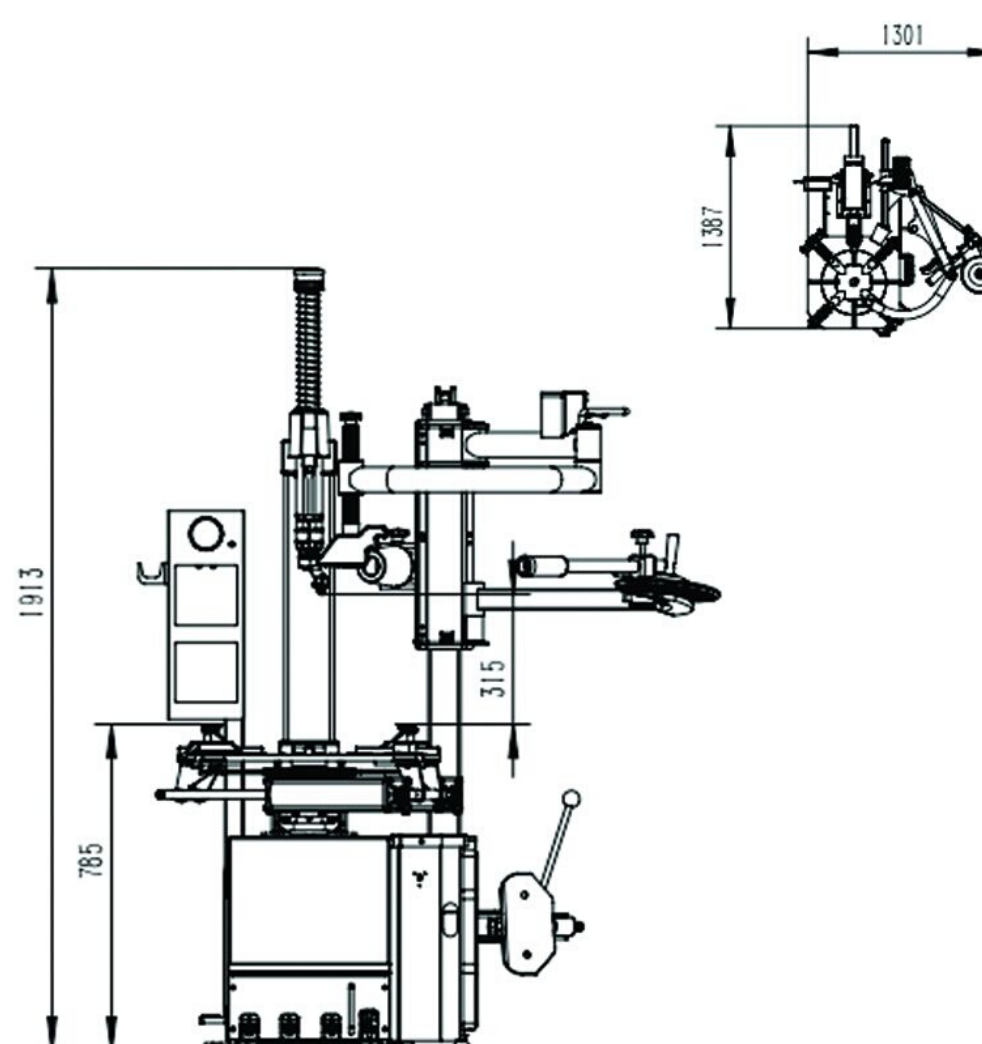
## ATC-5733 FEATURES

Equipped with helper arm, turbo blast and a three-point tire push system with independent and fast assembling column structure, allows for excellent performance.

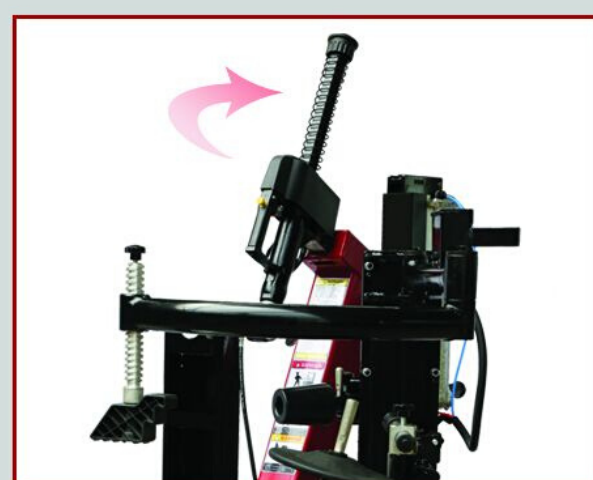
## ATC-5733 SPECIFICATIONS

External rim clamping capacity	12"-24"
Internal rim clamping capacity	14"-28"
Maximum Tire Diameter	1200mm
Air Pressure	8-10(bar)
Operating Voltage	110V/220V/380V/400V
Motor Power	2ph
Bead Breaker Pressure	5510lbs./(2500kg)
Net Weight	992lbs(450kg)
Gross Weight	1059lbs(480kg)
The Size Of Package	ctn1:1130×900×1020mm ctn2:1270×530×420mm

# ASTON®



## ATC-5733 THE DETAILS OF THE FEATURE



Pneumatic controlled tilt back system provides more space and convenience for tires demount/mount.



1.0 Mpa high pressure resistance water and oil filter



Three-point tire push system will work easier and more efficiently for different tire changes.



Aluminum alloy 186mm cylinder with long service life drives a more powerful bead breaker.



Demount bird head design is suitable for flat tires change without damage on rim or wheel.



The high power motor with low noise improved the working efficiency significantly.



All bead breaker parts embedded with plastic covers to protect the wheel/rim from damaging while sliding.



Double wear-resist scribings let the wheel clamps move smoothly. The Stop Block can avoid wheels scratching and also position wheel rim automatically