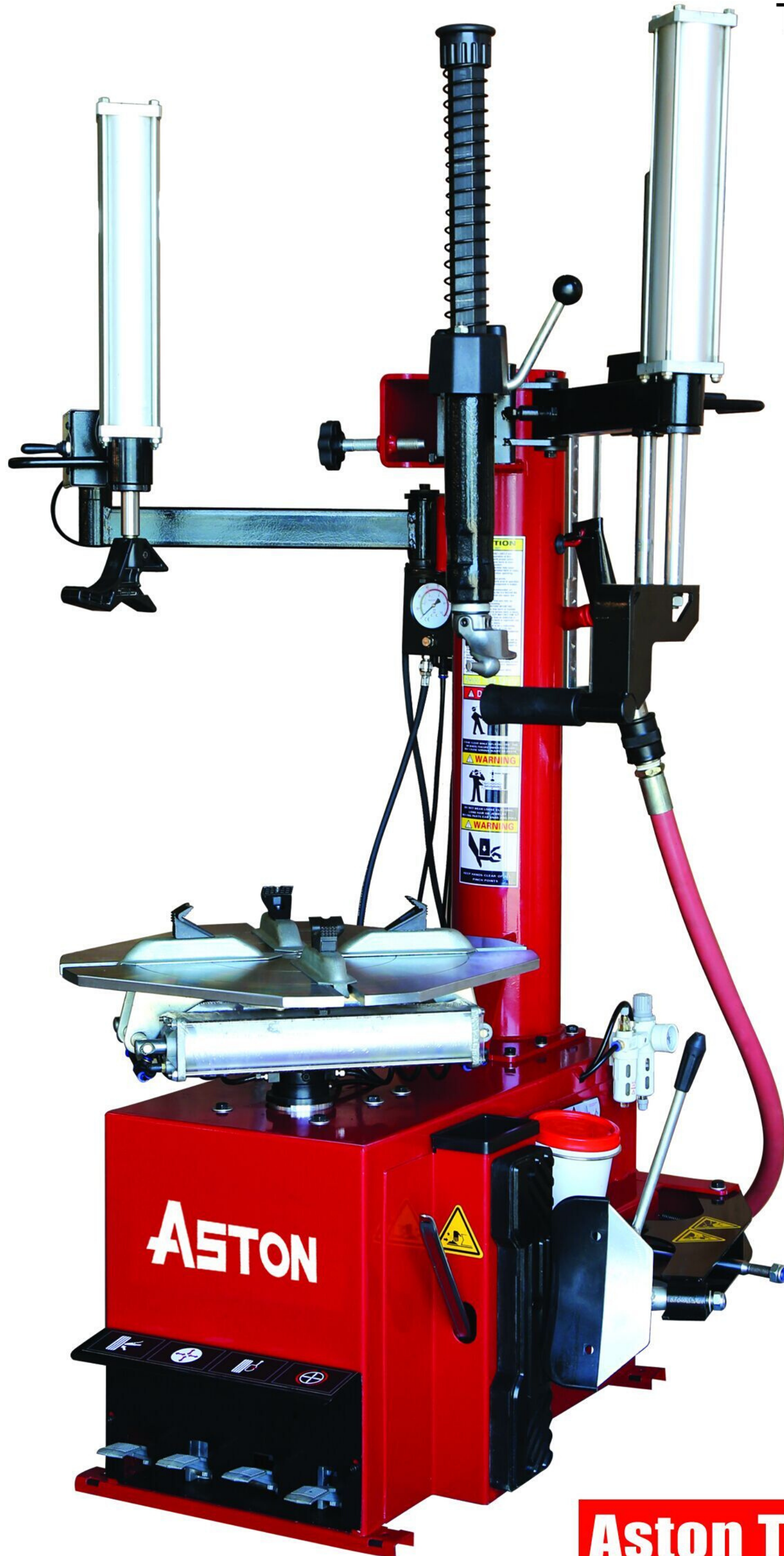




# ASTON<sup>®</sup>

**YOUR COMPLETE GO-TO MACHINE**

**ATC-8823 Smart Solution**  
TIRE EQUIPMENT SPECIALIST



**Aston Technologies, Inc.**  
**[www.astontechusa.com](http://www.astontechusa.com)**



## ATC-8823 FEATURES

equipped with universal bead breaker blade and turbo blast is suitable for rim diameter from 10 to 24, internal clamping capacity can be extended to 26 maximum.

One time forming technique will ensure movable clamping jaw deform resistant and durable.

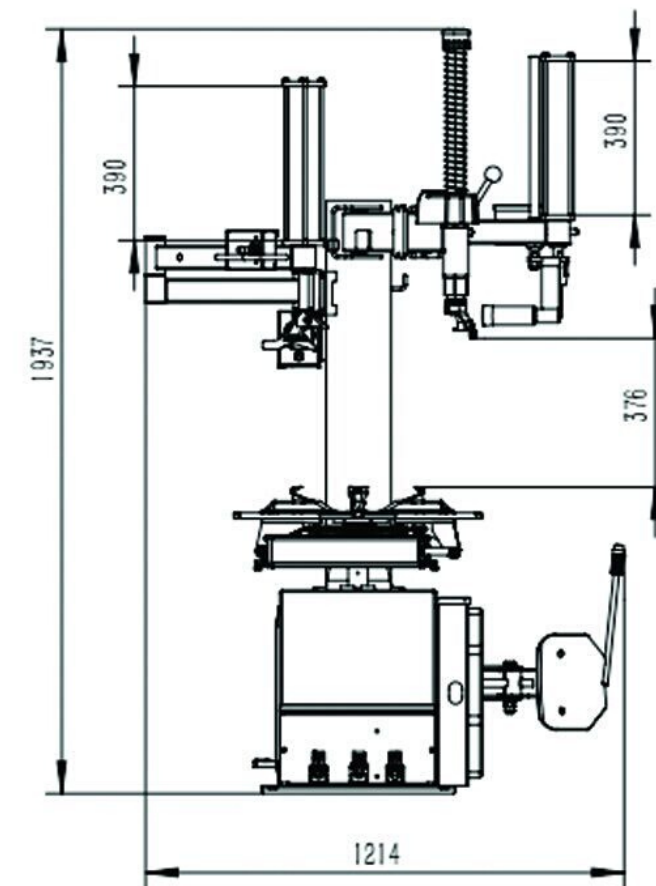
Demount bird Head is made of stainless steel will be strong and wear -resisting.

# ASTON®



## ATC-8823 SPECIFICATIONS

External rim clamping capacity	12"-24"
Internal rim clamping capacity	14"-26"
Maximum Tire Diameter	1000mm
Air Pressure	8-10(bar)
Operating Voltage	110V/220V/380V/400V
Motor Power	1.1kw/1.5kw
Bead Breaker Pressure	2500kg
Net Weight	245kg
Gross Weight	275kg
The Size Of Package	1120×750×860mm
Loading Quantity	96PCS/40"HCTNR



## ATC-8823 THE DETAILS OF THE FEATURE DISPLAY



Aluminum alloy 186 cylinder with long service life drives the bead breaker more powerful.



Turbo blast pipe direct connection design bring more inflating power.



The swing arm connected on the Column can both pull and push tires, it is easier and more comfortable to operate than traditional pattern .



Swing arm fixed on rod will be safe and avoid cylinder explosion.



Demount bird head design is suitable for flat tires change without damage on rim or wheel.



The high power motor with low noise improved the working efficiency significantly.